

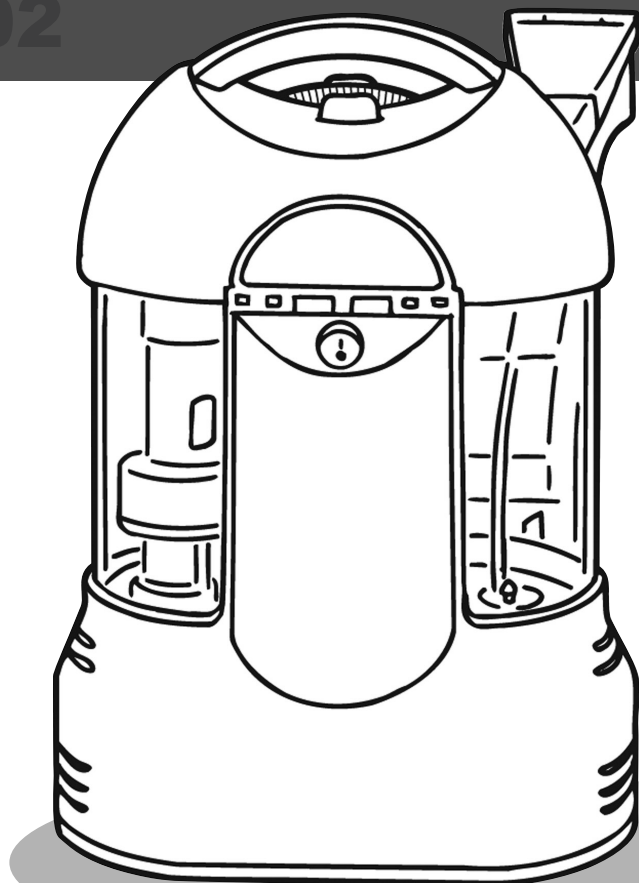


Vax careline
0870 1129 145
(UK only)

Carpet Washer

VCW-02

Vax model number:
VCW-02



instruction manual

www.vax.co.uk

Please read carefully before using this cleaner.
Always fully extend the mains cable before use.
Retain for future reference.

1. Diagram

VCW-02

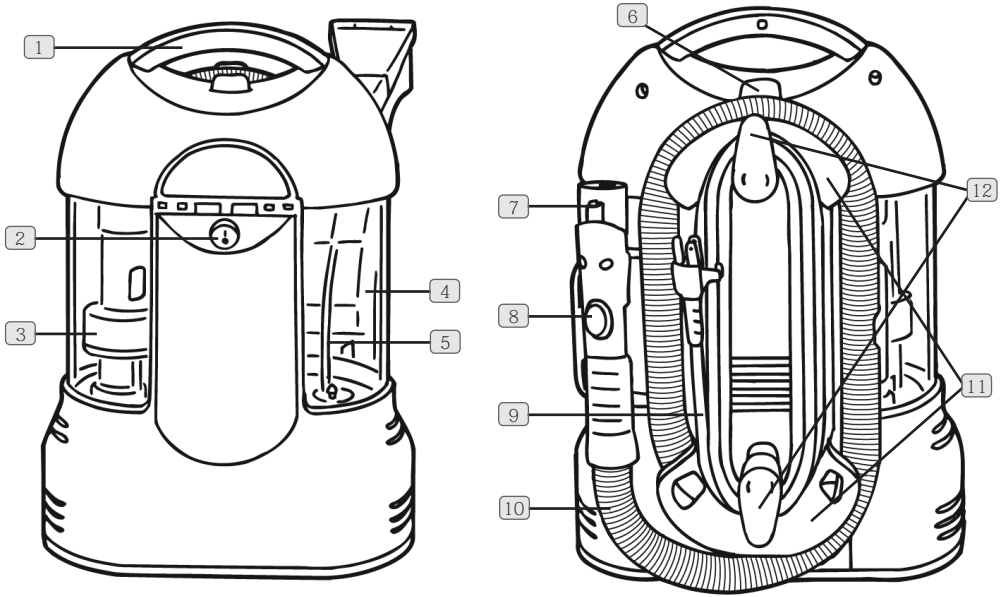
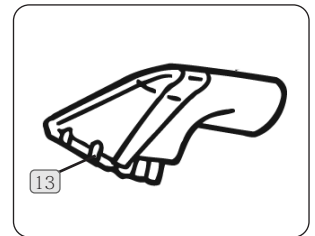


Fig.1/1

- | | |
|------------------------|-----------------------------|
| 1 Carry Handle | 8 Solution Dispense Button |
| 2 On/Off Switch | 9 Power Cord |
| 3 Dirty Water Tank | 10 Attachment Hose |
| 4 Clean Water Tank | 11 Hose Wrap |
| 5 Clean Water/Solution | 12 Quick Release Cord Hooks |
| 6 Lid Release Latch | 13 Wash Tool |
| 7 Spray Nozzle | |

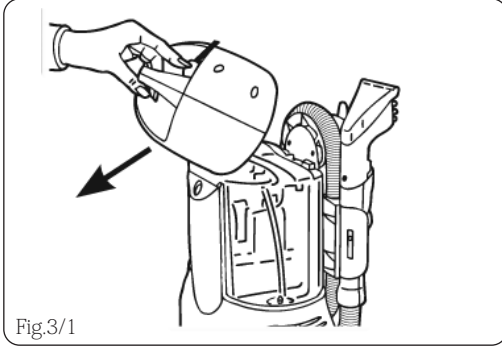


3. Preparing the Machine

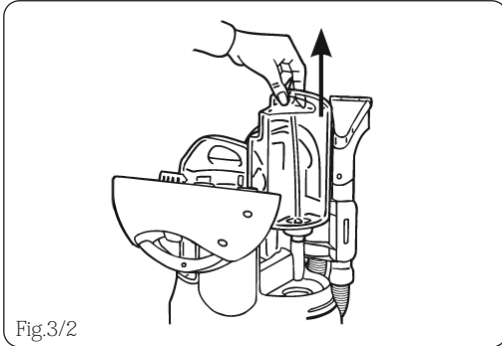
⚠ WARNING: Use only Vax Commercial Carpet Cleaner with this machine. Using other cleaning solutions may cause excessive foaming. Excessive foam will cause the float to shut off the vacuum prematurely.

Filling Clean Water Tank

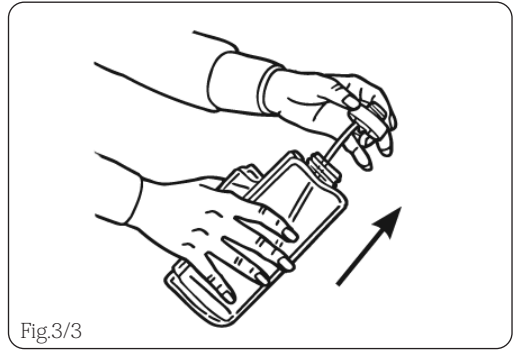
Press down on the Lid. Release Latch and tilt lid towards front of cleaner to access the tanks (Fig.3/1).



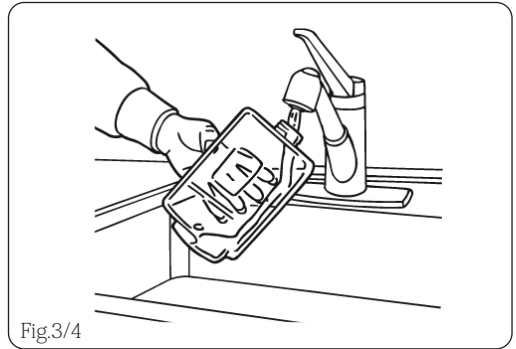
Remove Clean Water Tank by pulling up and out of cleaner (Fig.3/2).



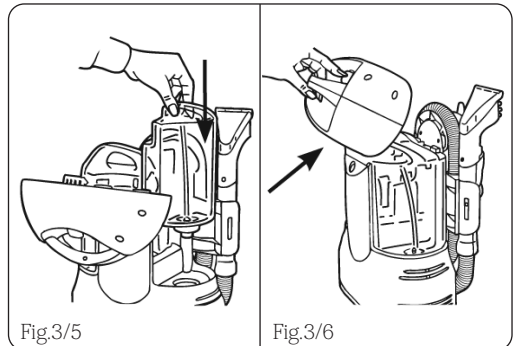
Unscrew cap and fill Clean Water Tank with solution up to the Soap Fill Line (Fig.3/3).



Fill the rest of the Clean Water Tank with warm tap water (MAX 40°C) up to the Water Fill Line (Fig.3/4).



Replace Clean Water Tank cap and tighten firmly. Return Clean Water Tank to cleaner (Fig.3/5). Close lid making sure that the Lid Release Latch clicks into place (Fig.3/6).



4. Attachments

! NOTE: Always turn off appliance before connecting or disconnecting attachments.

Connecting Attachments

Connect desired attachment by pressing tool onto the end of the attachment hose until the locking button snaps into the hole (Fig.4/1).

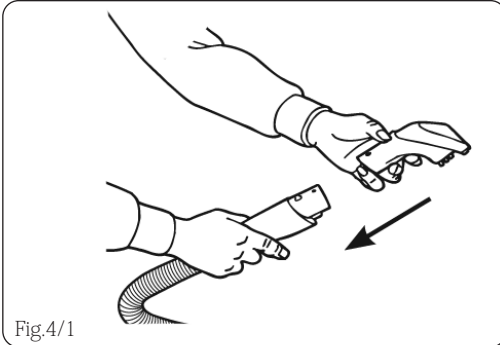


Fig 4/1

! WARNING: Keep spray pointed away from face. Failure to do so may result in personal injury.

To remove, press down on the locking button and pull the tool away from the hose (Fig.4/2).

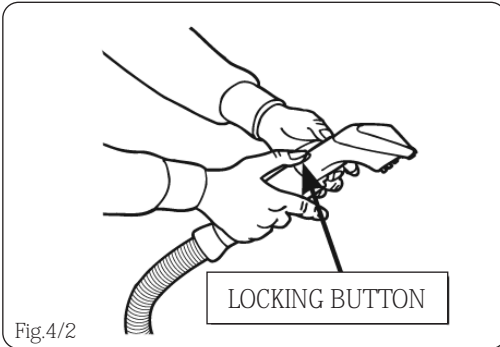


Fig.4/2

5. Usage

! IMPORTANT: Do not use the Carpet Cleaner as a dry vacuum.

! NOTE: Never leave unit unattended with power on. Turn OFF when emptying and filling reservoir. DO NOT oversaturate carpet or upholstery.

! IMPORTANT: For best cleaning results, use steady, moderate, forward and backward motion.

Check for Colour Fastness:

Before cleaning carpet/upholstery, test for colour fastness. Dampen a white cloth with solution. Test a small area somewhere discreet i.e. underneath a cushion. Gently rub the cloth over the area. Check each colour for colour bleeding. If the cloth remains clean, it should be safe to clean the carpet/upholstery.

Helpful Hints for Cleaning Carpet:

1. Do not oversaturate carpet with cleaning solution while using the Carpet Cleaner.
2. For heavily soiled areas, additional applications may be necessary.
3. Allow plenty of time to dry carpet thoroughly.
4. Wipe cleaning solution from woodwork and wood to prevent any damage.
5. Try not to walk on carpet until it is completely dry.
6. After carpet is thoroughly dry, vacuum the carpet using a cleaner with a revolving brushroll.

Carpet and Upholstery Cleaning

Plug cord into electrical outlet (Fig.5/1).

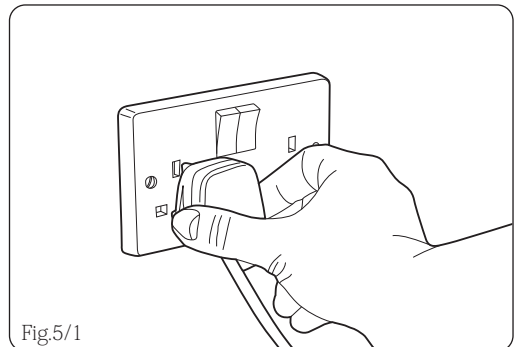


Fig.5/1

Turn ON/OFF switch to the "ON" position (Fig.5/2).

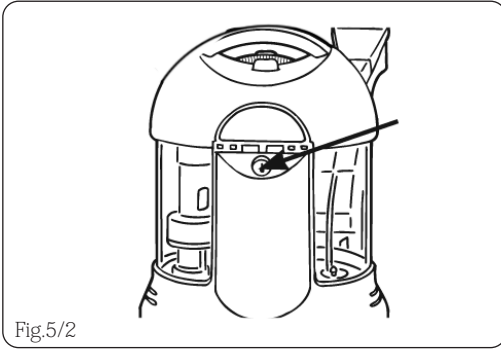


Fig.5/2

Hold the tool approximately 1" above the stained surface. Press the solution dispense trigger to apply cleaning solution to the stained area. NOTE: Before using hand tool attachments, it is necessary to prime the pump. Follow these steps for optimal performance: (Fig.5/3)

- Fill the clean water tank.
- Place hand tool attachment on floor.
- Depress the solution dispense button on hose for 10 seconds while the power is off.
- Repeat if necessary.

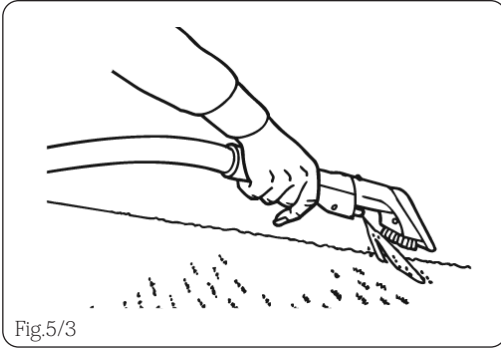


Fig.5/3

Gently scrub the stained area with the brush on the tool until the stain is completely removed. Release the solution dispense trigger and continue moving the tool over cleaned area to remove as much liquid as possible (Fig.5/4).

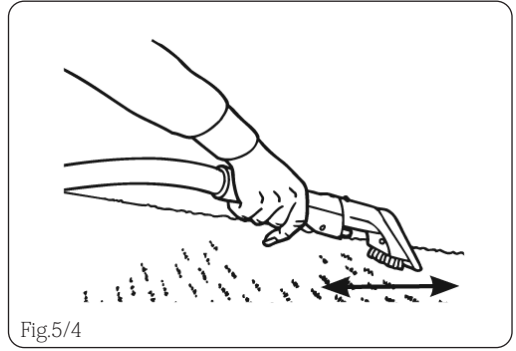


Fig.5/4

Emptying and Cleaning the Dirty Water Tank

⚠ WARNING: To reduce risk of electric shock or injury, unplug before removing tank(s) and remove tanks from unit before emptying.

When to empty:

- Dirty water reaches the 'full' line on the dirty water tank - OR
- Float shuts off airflow, indicated by a change in pitch of the motor and reduced suction
- At the end of each use, prior to storage

Turn ON/OFF switch to the OFF position. Unplug power cord from outlet. Press down on the Lid Release Latch and tilt towards the front of cleaner to access the tanks (Fig.5/5).

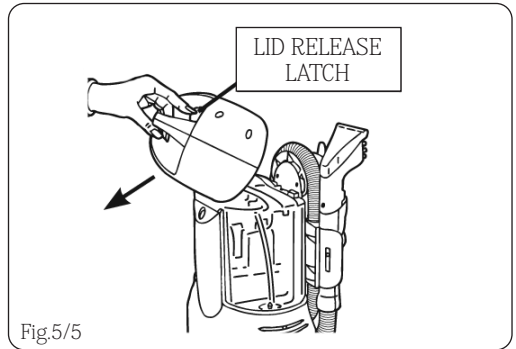


Fig.5/5

Remove Clean and Dirty Water Tank assembly by pulling up and out of cleaner and separate Dirty Water Tank (Fig.5/6).

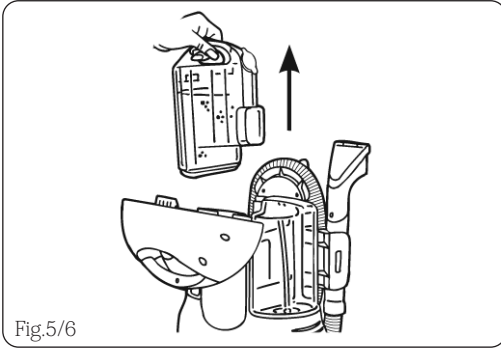


Fig.5/6

Open Dirty Water Tank plug and empty contents into sink (Fig.5/7).

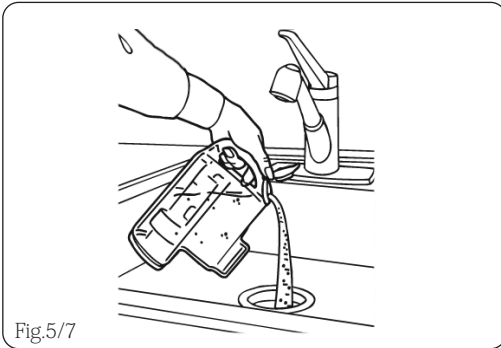


Fig.5/7

Rinse thoroughly with clean water (Fig.5/8).

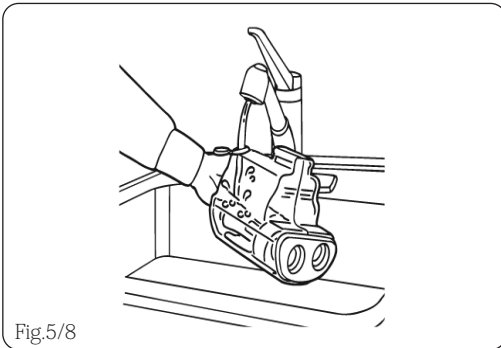


Fig.5/8

6. Troubleshooting

⚠ WARNING: To reduce risk of personal injury, unplug carpet washer before servicing.

PROBLEM: The cleaner won't run

Cause: Power cord not firmly plugged into socket.

Solution: Plug cord in firmly.

Cause: Blown fuse/tripped breaker.

Solution: Check fuse or breaker in home. Replace fuse/reset breaker.

PROBLEM: Cleaner won't pick up or low suction

Cause: Dirty Water Tank is not installed correctly.

Solution: Review 'Usage' section of this user guide.

Cause: Dirty Water Tank is full.

Solution: Empty dirty water tank (for instructions see 'Usage' section of this user guide).

Cause: Incorrect cleaning tool position.

Solution: Reposition cleaning tool, following instructions from 'Usage' section of this user guide.

Cause: Incorrect cleaning solution.

Solution: Use only Vax AAA cleaning solution.

PROBLEM: Water escaping from cleaner

Cause: Dirty Water Tank is full.

Solution: Empty dirty water tank (for instructions see 'Usage' section of this user guide).

Cause: Dirty Water Tank is not installed correctly.

Solution: Review 'Usage' section of this user guide.

Cause: Clean Water Tank is not installed properly.

Solution: Review 'Preparing the Machine' section of this user guide.

PROBLEM: Cleaner won't dispense solution or is dispensing at a low rate

Cause: Spray nozzle clogged.

Solution: Remove all attachments and clean thoroughly.

Cause: Clean Water Tank is not installed properly.

Solution: Review 'Preparing the Machine' section of this user guide.

Cause: Solution pump needs priming.

Solution: It may be necessary to prime the pump - review 'Usage' section of this user guide, or elevate unit above nozzle by placing on tabletop.

This page has been left intentionally blank.

This page has been left intentionally blank.

This page has been left intentionally blank.

vax®

EEC STATEMENT OF COMPLIANCE

Manufacturer/EEC importer: Vax Limited, hereby on our own responsibility, declare that the product VCW-02 Carpet Washer is manufactured in compliance with the following Directives:

Safety: 2006/95/EC Low Voltage Directive

EMC: 2004/108/EC Electromagnetic Compatibility Directive



Waste electrical products should not be disposed of with household waste. Please recycle where facilities exist. Check with your Local Authority or retailer for recycling advice.